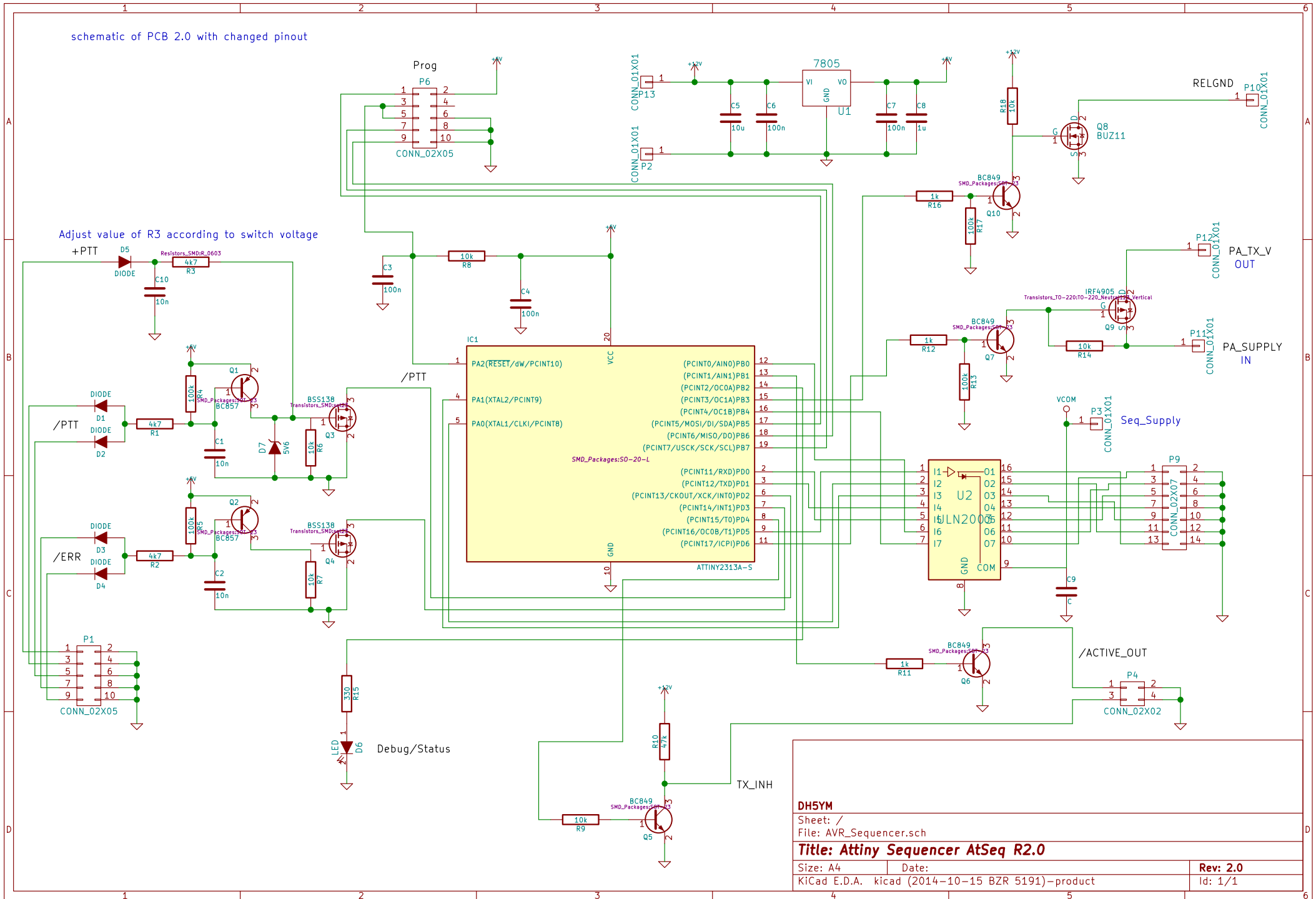


schematic of PCB 2.0 with changed pinout



DH5YM	
Sheet: /	
File: AVR_Sequencer.sch	
Title: Attiny Sequencer AtSeq R2.0	
Size: A4	Date:
KiCad E.D.A. kicad (2014-10-15 BZR 5191)-product	Rev: 2.0
	Id: 1/1